

MASTER VIEW MAX SLIDEAWAY™ LCD KVM SWITCH



USER MANUAL

CL-1208

CL-1216

2005-04-26

Warning!

This is a class A product. In a domestic environment this product may cause radio interference in which case the user may be required to take adequate measures.

This equipment has been tested and found to comply with the limits for a Class A digital device, pursuant to Part 15 of the FCC Rules. These limits are designed to provide reasonable protection against harmful interference when the equipment is operated in a commercial environment. This equipment generates, uses and can radiate radio frequency energy and, if not installed and used in accordance with the instruction manual, may cause harmful interference to radio communications. Operation of this equipment in a residential area is likely to cause harmful interference in which case the user will be required to correct the interference at his own expense.



Packing List

Basic Package

The basic CL-1208 / CL-1216 package consists of the following equipment:

- ◆ 1 CL-1208 / CL-1216 KVM Switch with Standard Rack Mounting Kit
- ◆ 2 Custom KVM Cable Sets (2L-5202P)
- ◆ 1 Firmware Upgrade Cable
- ◆ 1 Power Cord
- ◆ 1 User Manual
- ◆ 1 Quick Start Guide

Optional Equipment

Depending on any optional equipment that you may have purchased, one of the following may be included in your package:

- ◆ Standard Rack Mounting Kit - Long
- ◆ Easy-Installation Rack Mounting Kit - Short
- ◆ Easy-Installation Rack Mounting Kit - Long

Check to make sure that all the components are present and that nothing got damaged in shipping. If you encounter a problem, contact your dealer.

Read this manual thoroughly and follow the installation and operation procedures carefully to prevent any damage to the unit, and/or any of the devices connected to it.

© Copyright 2005 ATEN® International Co., Ltd.
Manual Part No. PAPE-0246-100G
Printed in Taiwan 04/2005

All brand names and trademarks are the registered property of their respective owners.

Notes:

Table of Contents

1. Introduction

Overview	1
Features	3
Hardware Requirements	4
Computers	4
Cables	4
CL-1208 / CL-1216BL Front View	6
CL-1208 / CL-1216 Rear View	8

2. Installation

Daisy Chaining	13
--------------------------	----

3. Basic Operation

Opening the Console	17
Closing the Console	18
LCD OSD Configuration	19
The LCD Buttons	19
The Adjustment Settings	20
Port Selection	21
Manual Port Switching	21
Hot Plugging	22
Switching Station Positions	22
Hot Plugging CPU Ports	22
Powering Off and Restarting	23
Port ID Numbering	24

4. OSD Operation

OSD Overview	25
OSD Navigation	27
OSD Main Screen Headings	27
OSD Functions	28
F1 GOTO:	28
F2 LIST:	29
F3 SET:	30
F4 ADM:	32
F5 SKP:	36
F6 BRC:	37

F7 SCAN:	38
F8 LOUT:	39

5. Hotkey Operation

Hotkey Port Access	41
Invoking Hotkey Mode	41
Selecting the Active Port	42
Auto Scanning	43
Skip Mode	45
Hotkey Beeper Control	46
Hotkey Summary Table	47

6. The Firmware Upgrade Utility

Preparation	50
Starting the Upgrade	51
Upgrade Succeeded	54
Upgrade Failed	54
Firmware Upgrade Recovery	55

Appendix

Connection Tables	57
CL-1208 + ACS-1208A	57
CL-1216 + ACS-1216A	57
OSD Factory Default Settings	58
Clear Login Information	59
Rack Mounting	60
Standard Rack Mounting	60
Optional Rack Mounting	61
Specifications	64
Troubleshooting	65
Limited Warranty	65

About This Manual

This User Manual is provided to help you get the most from your CL-1208 / CL-1216 system. It covers all aspects of installation, configuration and operation. An overview of the information found in the manual is provided below.

Overview

Chapter 1, Introduction, introduces you to the CL-1208 / CL-1216 System. Its purpose, features and benefits are presented, and its front and back panel components are described.

Chapter 2, Installation describes how to set up your installation — from a basic single stage hookup to a complete 32 switch daisy chained operation.

Chapter 3, Basic Operation explains the fundamental concepts involved in operating the CL-1208 / CL-1216.

Chapter 4, OSD Operation, provides a complete description of the CL-1208 / CL-1216's OSD (On Screen Display), and how to work with it.

Chapter 5, Hotkey Operation, details all of the concepts and procedures involved in the Hotkey operation of your CL-1208 / CL-1216 installation.

Chapter 6, The Firmware Upgrade Utility, explains how to use this utility to upgrade the CL-1208 / CL-1216's firmware with the latest available versions.

An Appendix at the end of the manual provides specifications and other technical information regarding the CL-1208 / CL-1216.

Conventions

This manual uses the following typographical conventions:

- `Courier` Indicates text that you should key in.
- [] Indicates keys you should press. For example, [Enter] means to press the **Enter** key. If keys need to be *chorded*, they appear together in the same bracket with a plus sign between them: [Ctrl+Alt].
 - 1. Numbered lists represent procedures with sequential steps.
 - ◆ Bullet lists provide information, but do not involve sequential steps.
 - Indicates movement through a series. For example, Start → Run means to open the *Start* menu, and then select *Run*.
 - ⚠ Indicates critical information.

Chapter 1.

Introduction

Overview

The Master View CL-1208 / CL-1216 KVM Switch is a control unit that allows access to multiple computers from a single KVM (keyboard, monitor, and mouse), console. Before the development of the Master View, the only way to control multiple computer configurations from a single console was through a complex and costly network system. Now, with the Master View CL-1208 / CL-1216, you can easily access multiple computers in a cost effective manner.

A single Master View CL-1208 or CL-1216 can control up to 8 or 16 computers, respectively. As many as 31 additional Master View units can be daisy chained to each other, so that up to 256 (CL-1208 + ACS-1208A) or 512 (CL-1216 + ACS-1216A) computers can all be controlled from a single keyboard-monitor-mouse console.

The Master View CL-1208 / CL-1216 offers a space-saving, streamlined approach to KVM switch technology by integrating a keyboard, LCD monitor, and touchpad in a *Slideaway*[™] housing. The LCD display is built into the cover; the keyboard and touchpad are built into the base. Slide the KVM module section out; flip the cover up; and you are ready to go to work. When finished, flip the cover down and slide the KVM module away.

For further convenience, the *Slideaway*[™] housing is 1U high for easy rack mounting. The CL-1208 / CL-1216 also features high density 15 pin connectors instead of the usual 25 pin connectors. This space-saving innovation allows a full, 16 port switch to be installed in a 1U system rack. Because of its modular design, the KVM section can be detached from the switch section.

Your CL-1208 / CL-1216 investment is protected by an included *Firmware Upgrade Utility*. You can stay current with the latest functionality improvements by downloading firmware update files from our website as they become available, and using the utility to quickly and conveniently perform the upgrade.

Setup is fast and easy; plugging cables into their appropriate ports is all that is entailed. Because the CL-1208 / CL-1216 intercepts keyboard input directly, there is no software to configure; no need to get involved in complex installation routines; nor any need to be concerned with incompatibility problems.

Access to any computer connected to the installation is easily accomplished either by entering *Hotkey* combinations from the keyboard, or by means of a powerful, mouse driven, OSD (On Screen Display) menu system. A convenient *Auto Scan* feature also permits automatic scanning and monitoring of the activities of all computers running on the installation one by one.

There is no better way to save time and money than with a Master View CL-1208 / CL-1216 installation. By using the Master View CL-1208 / CL-1216 with its *Slideaway*[™] console to manage your installation, you: (1) eliminate the expense of having to purchase a separate keyboard, monitor, and mouse for each computer; (2) save all the space those extra components would take up; (3) save the space that a keyboard, monitor, and mouse would take with a standard KVM switch; (4) save on energy costs; and (5) eliminate the inconvenience and wasted effort involved in constantly moving from one computer to another.

Features

- ◆ Integrated KVM console with 15" or 17" LCD monitor - in a *Slideaway*[™] housing
- ◆ *Slideaway*[™] housing is less than 1U - with top and bottom clearance for smooth operation in a 1U high system rack.
- ◆ Space saving technology - two consoles (one bus) controls up to 8 (CL-1208) or 16 (CL-1216) computers.
- ◆ Daisy chain up to 31 additional units - control up to 512 computers from the switch's integrated *Slideaway*[™] console.
- ◆ No software required - convenient computer selection via *Hotkeys* and mouse driven intuitive On Screen Display (OSD) menus.
- ◆ Auto Scan feature for monitoring user-selected computers.
- ◆ Broadcast support - commands from the keyboard can be broadcast to all available computers on the installation.
- ◆ Hot Pluggable - add or remove computers without having to power down the switch.
- ◆ Two level password security - only authorized users view and control the computers - up to four users plus an administrator with separate profiles for each.
- ◆ DDC Emulation of the LCD Monitor - VGA settings of every connected computer are automatically adjusted for optimal output to the LCD Monitor.
- ◆ Upgradable firmware.

Hardware Requirements

Computers

The following equipment must be installed on each computer:

- ◆ A VGA, SVGA or Multisync card.
 - Note:** The integrated LCD monitor's maximum resolution is 1024 x 768 (15") or 1280 x 1024 (17"). Make sure that none of the computer's resolution settings exceed the LCD monitor's maximum resolution.
- ◆ A 6-pin mini-DIN (PS/2 style) mouse port.*
- ◆ Either a 6-pin mini-DIN (PS/2 Style) keyboard port with +5V DC on pin 4 and Ground on pin 3, or a 5-pin DIN (AT Style) keyboard port with +5V DC on pin 5 and ground on pin 4.*

* See the note under *Cables* on p. 5.

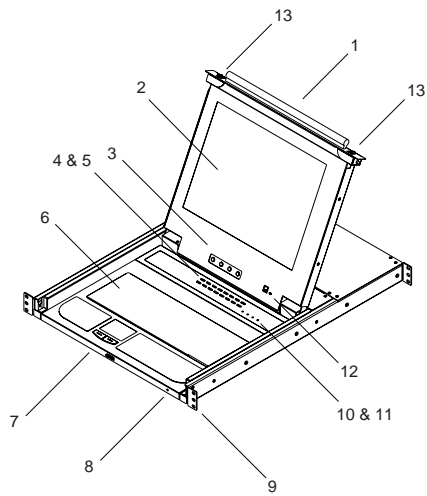
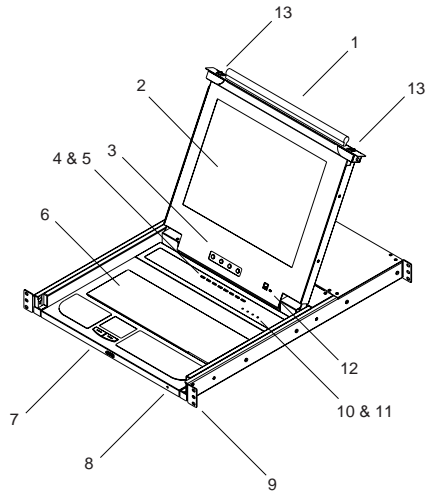
Cables

Substandard cables may damage the connected devices or degrade overall performance. For optimum signal integrity and to simplify the layout, we strongly recommend that you use the high quality CS Custom Cable sets described below:

Function	CS Part Number
KVM Switch to KVM Switch (Daisy Chaining)	2L-1700 - 0.6 m 2L-1701 - 1.8 m
KVM Switch to Computer (PS/2 Connection)	2L-5201P - 1.2 m 2L-5202P - 1.8 m 2L-5203P - 3.0 m 2L-5206P - 6.0 m
KVM Switch to Computer (USB Connection)	2L-5202UP - 1.8 m 2L-5203UP - 3.0 m 2L-5206UP - 6.0 m

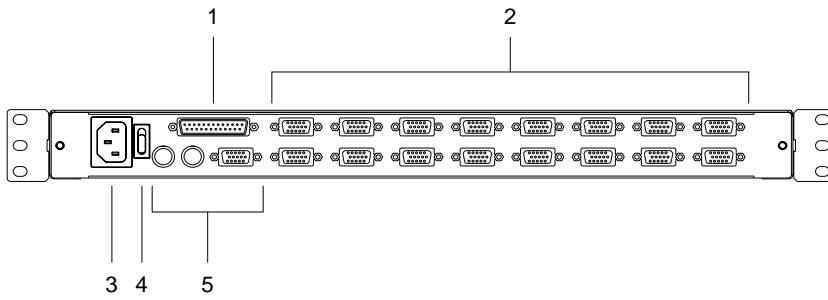
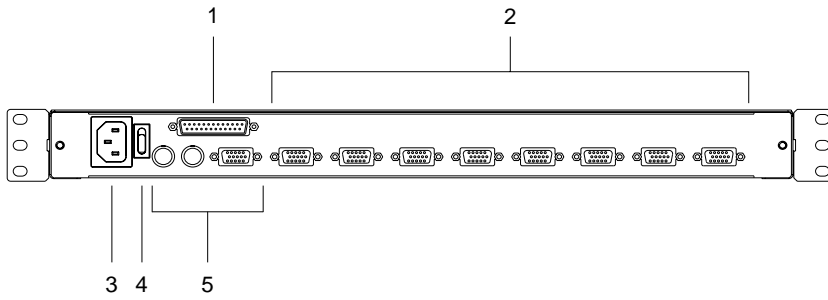
- Note:**
1. The CL-1208 / CL-1216 does not support serial mice. You cannot use Serial-to-PS/2 adapters with the cables. Attempts to do so will not work.
 2. If your computer uses an AT style keyboard socket you will need to purchase a PS/2-to-AT keyboard adapter (Part No. 2A-106, or any standard keyboard adapter), in order to plug the cable into the computer's keyboard port.

CL-1208 / CL-1216BL Front View



1	Handle	Pull to slide the KVM module out; push to slide the module in (see item 13 in this table).
2	LCD Display	After sliding the KVM module out, flip up the cover to access the LCD monitor.
3	LCD Controls	The LCD On/Off switch is located here, as well as buttons to control the position and picture settings of the LCD display. See p. 19, for details.
4	Port Switches	Press a switch to bring the KVM focus to the computer attached to its corresponding port. See p. 21 for details.
5	Port LEDs	<p>Two Port LEDs are built into the Port Switches. The one on the left is the <i>On Line</i> LED; the one on the right is the <i>Selected Port</i> LED:</p> <ul style="list-style-type: none"> ♦ An <i>On Line</i> LED lights ORANGE to indicate that the computer attached to its corresponding port is up and running. ♦ A <i>Selected</i> LED lights GREEN to indicate that the computer attached to its corresponding port is the one that has the KVM focus. The LED is steady under normal conditions, but flashes when its port is accessed under <i>Auto Scan Mode</i> (see p. 38).
6	Keyboard	
7	Touchpad	
8	Power LED	Lights BLUE to indicate that the unit is receiving power.
9	Rack Mounting Tabs	The rack mounting tabs located at each corner of the unit secure the chassis to a system rack. Refer to the Appendix (p. 60), for rack mounting details.
10	Lock LEDs	The Num Lock, Caps Lock, Scroll Lock LEDs are located here.
11	Reset Switch	Located to the right of the Lock LEDs. Press this recessed switch in with a thin object to perform a system reset.
12	Firmware Upgrade Section	<ul style="list-style-type: none"> ♦ Firmware Upgrade Port: The Firmware Upgrade Cable that transfers the firmware upgrade data from the administrator's computer to the CL-1208 / CL-1216 plugs into this RJ-11 connector. ♦ Firmware Upgrade Switch: During normal operation this switch should be in the NORMAL position. (See p. 49 for firmware upgrading details.)
13	Slide Release	In order to bring the console out, you must first release it by sliding these tabs to the inside. See p. 17 for details on sliding the console in and out.

CL-1208 / CL-1216 Rear View



1	Daisy Chain Port	When Daisy Chaining Units, the cable plugs in here.
2	CPU Port Section	The cables that link to the computers plug in here. Note: The shape of these 15-pin connectors has been specifically modified so that only KVM cables designed to work with this switch can plug in (see the <i>Cables</i> section on p. 4, for details). Do NOT attempt to use ordinary 15 pin VGA connector cables to link these ports to the computers.
3	Power Socket	This is a standard 3 prong AC power socket. The power cord from an AC source plugs in here.
4	Power Switch	This is a standard rocker switch that powers the unit On and Off.
5	External Console Section	For flexibility and convenience, the CL-1208 / CL-1216 supports an independent, external, KVM console. The external console's keyboard, monitor, and mouse cables plug in here.

Notes:

Chapter 2. Installation

Before you Begin



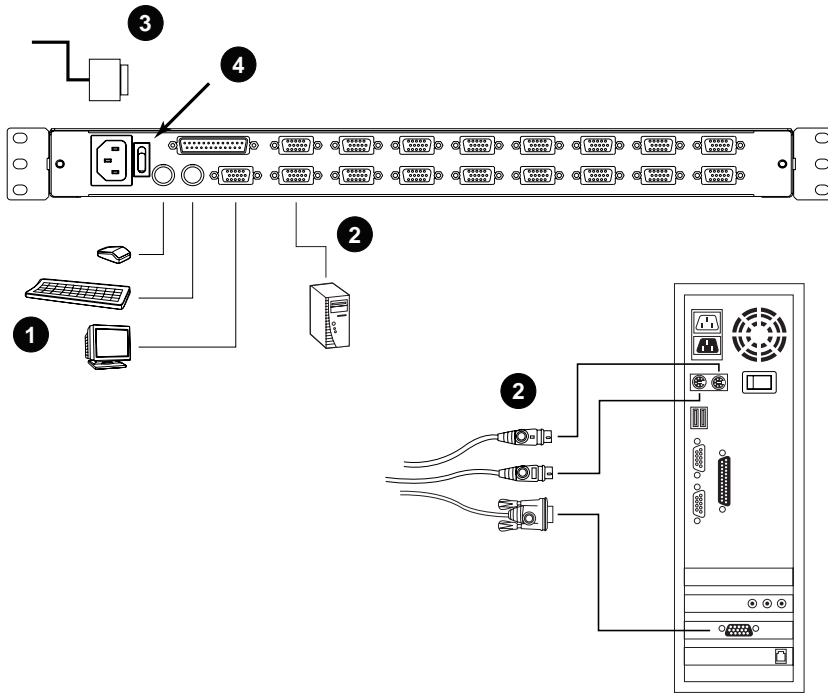
1. Make sure that power to all the devices you will be connecting up have been turned off. You must unplug the power cords of any computers that have the *Keyboard Power On* function. Otherwise, the switch will receive power from the computer.
2. To prevent damage to your installation make sure that all devices

Single Stage Installation

In a Single Stage installation, there are no additional switches daisy chained down from the first unit. To set up a single stage installation, refer to the installation diagram on the next page (the numbers in the diagram correspond to the numbers of the installation steps), and do the following:

1. Plug your external console's keyboard, monitor, and mouse into the Console Ports located on the switch's rear panel. The ports are color coded and marked with an appropriate icon to indicate themselves.
Note: This step is optional.
2. For each of the computers you are installing, use a KVM cable set (as described in the *Cables* section on p. 4), to connect any available CPU Port to the computer's keyboard, video and mouse ports.
Note: Ignore the Daisy Chain Port at this time. It is only used when daisy chaining additional Master View units. Daisy chaining is described in the next section.
3. Use the Power cord provided with this package to connect the switch's Power Socket to an AC power source.

4. Power on the switch.
5. After the switch is powered on, power on the computers.



Daisy Chaining

To control even more computers, up to 31 Master View ACS-1208A / ACS-1216A units can be daisy chained down from the CL-1208 / CL-1216.

Note: It would be unnecessarily wasteful and expensive to use CL-1208 / CL-1216 switches for daisy chaining since there is no point in having consoles on the chained switches. Therefore, ACS-1208A and ACS-1216A switches are used instead.

The ACS-1208A and ACS-1216A are similar to the CL-1208 and CL-1216, except that they come in standard housings without the built in *Slideaway*[™] console.

As many as 256 (CL-1208) or 512 (CL-1216) computers can be controlled from the unit's integrated *Slideaway*[™] console in a complete installation. Tables showing the relation between the number of computers and the number of Master View units needed to control them are provided on p. 57 in the Appendix.

To set up a daisy chained installation, refer to the daisy chain installation diagram on p. 15, and do the following:

1. Make sure that power to all the devices you will be connecting up has been turned off.
2. Use a daisy chain cable set (described in the *Cables* section, p. 4), to connect the *Chain Out* port of the parent unit to the *Chain In* port of the child unit (First Station Out to Second Station In, Second Station Out to Third Station In, etc.).
3. Use KVM cable sets (described in the *Cables* section of the ACS-1208A / ACS-1216A User Manual), to connect any available CPU Port on the daisy chained switch to the keyboard, video and mouse ports of the computers you are installing.
4. Repeat the above steps for any additional Master View units you wish to add to the chain.

5. Power up the installation according to the following procedure:

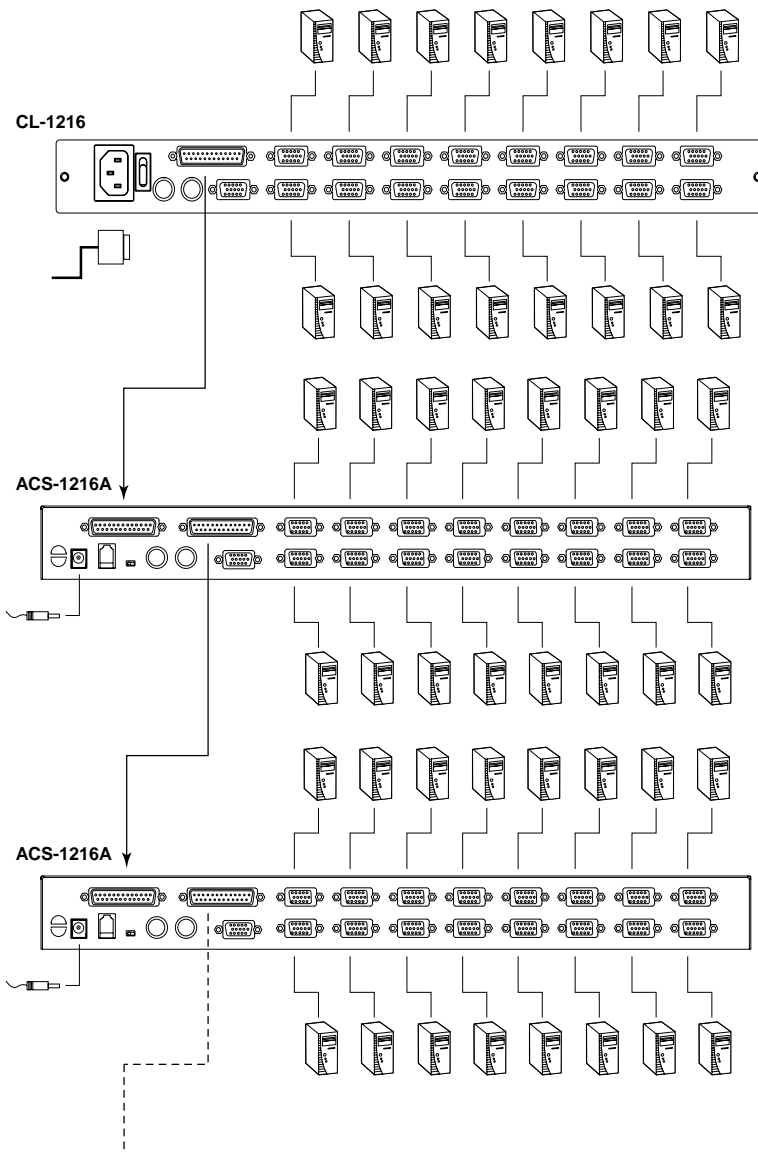
- a) Power on the First Station (CL-1208 or CL-1216).

Wait a few seconds for the unit to ascertain its Station ID.

- b) Plug in the power adapters for each daisy chained Station on the installation in turn (Second Station, then Third Station, etc.). Each ACS-1208A / ACS-1216A has a LED display on its front panel to indicate its Station ID (the Station ID for the First Stage unit is **01**, the ID for the Second Stage unit is **02**, the ID for the Third Stage unit is **03**, etc.).

In each case, wait for the Station ID to be ascertained and displayed on the Station ID LED before plugging in the next Station.

- c) After all the Stations are up, power on the computers.



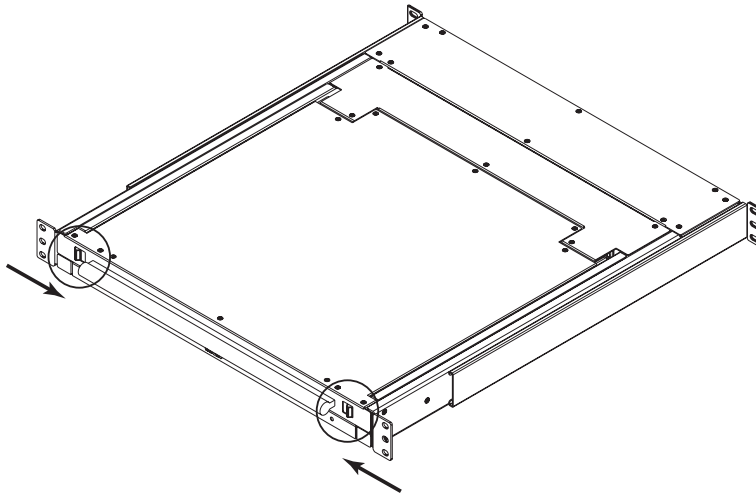
Notes:

Chapter 3. Basic Operation

Opening the Console

The CL-1208 / CL-1216's console is located under the top cover. To access the console, slide the console module out and raise the cover.

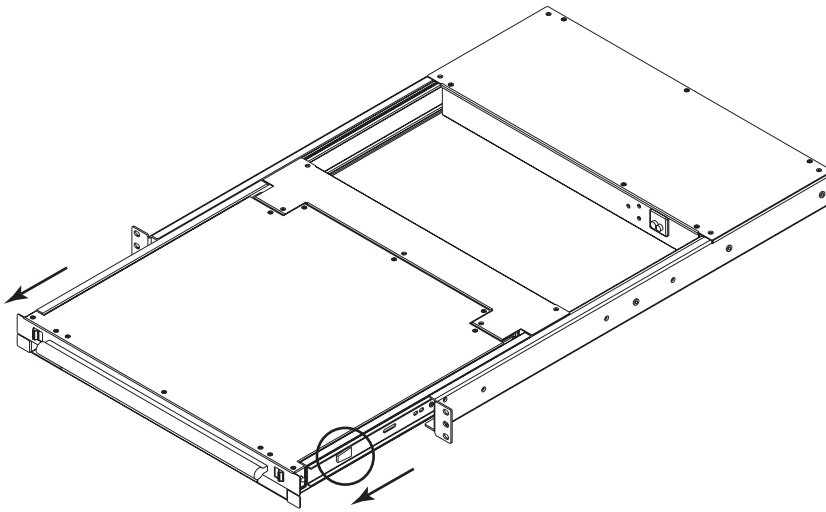
Note: As a safety precaution, to keep the console from accidentally sliding out, the console is locked into the *In* position. Before you can pull the console module out, you must release it by pushing the catches on the unit's front panel toward the center of the switch.



Closing the Console

To slide the console module back in, close the cover and do the following:

1. Pull the safety catches on the unit's side rails toward you and push the module in until it stops.
2. Release the catches; pull the module slightly toward you; then push it all the way in.



Note: The reason for the two step procedure is to minimize the chances of you pinching your fingers when sliding the module in.

LCD OSD Configuration

The LCD Buttons

The LCD OSD allows you to set up and configure the LCD display. Four buttons are used to perform the configuration, as described in the table, below:

Button	Function
MENU	<ul style="list-style-type: none">When you have not entered the LCD OSD Menu function, pressing this button invokes the Menu function, and brings up the Main Menu.When you have entered the LCD OSD Menu function, and have reached a setting choice with the navigation buttons, pressing this button brings up its adjustment screen.
▶ ▲	When navigating through the menus, this button moves you Right or Up. When making an adjustment, it increases the value.
◀ ▼	When navigating through the menus, this button moves you Left or Down. When making an adjustment, it decreases the value.
EXIT	<ul style="list-style-type: none">When you have not entered the LCD OSD Menu function, pressing this button performs an auto adjustment. An auto adjustment automatically configures all the settings for the LCD panel to what the OSD considers their optimum values to be.When you have entered the LCD OSD Menu function, pressing this button exits the current menu and returns you to the previous menu. Use it to leave an adjustment menu when you are satisfied with the adjustment you made.When you are at the Main Menu, pressing this button exits the LCD OSD.

The Adjustment Settings

An explanation of the LCD OSD adjustment settings is given in the table below:

Setting	Explanation
Brightness	Adjusts the background black level of the screen image.
Contrast	Adjusts the foreground white level of the screen image.
Phase	Adjusts the vertical size of the screen image.
Clock	Adjusts the horizontal size of the screen image.
H-Position	Positions the display area on the LCD panel horizontally (moves the display area left or right).
V-Position	Positions the display area on the LCD panel vertically (moves the display area up or down).
Color Temperature	Adjusts the color quality of the display. You can adjust the "warmth" value, color balance, etc. The <i>Adjust Color</i> selection has a further submenu that lets you fine tune the RGB values.
Language	Selects the language that the OSD displays its menus in.
OSD Duration	Lets you set the amount of time the OSD displays on the screen. If there is no input for the amount of time you choose
Reset	Resets the adjustments on all menus and submenus to their factory default settings.

Port Selection

The CL-1208 / CL-1216 provides three port selection methods to access the computers on the installation: Manual; OSD (On Screen Display) menus, and Hotkey. OSD Operation is discussed in the next chapter; Hotkey Port Selection is discussed detail in Chapter 5.

Manual Port Switching

- ◆ Press a switch to bring the KVM focus to the computer attached to its corresponding port.
- ◆ Press buttons 1 & 2 simultaneously for two seconds to perform a keyboard and mouse reset.
- ◆ Press buttons 7 & 8 (CL-1208) or 15 & 16 (CL-1216) simultaneously for two seconds to invoke *Auto Scan Mode* (see p. 43).

Hot Plugging

The CL-1208 / CL-1216 supports *hot plugging* - components can be removed and added back into the installation by unplugging their cables from the ports without the need to shut the unit down. In order for hot plugging to work properly, however, the procedures described below must be followed:

Switching Station Positions

You can switch station positions by simply unplugging from the old parent and plugging into a new one. After you do, in order for the OSD menus to correspond to the change, you must reset the Station IDs in the OSD. See *RESET STATION IDS*, p. 35, for details.

Hot Plugging CPU Ports

In order for the OSD menus to correspond to the change, you must manually reconfigure the OSD to reflect the new Port information. See the *F3 SET* (p. 30) and *F4 ADM* (p. 32), functions for details.

Note: If the computer's Operating System does not support hot plugging, this function may not work properly.

Powering Off and Restarting

If it becomes necessary to Power Off one of the ACS- 1208A / ACS-1216A units, unplug the power adapter cable from the rear panel.

Before starting it back up you must do the following:

1. Shut down all the computers that are attached to it.

Note: You must unplug the power cords of any computers that have the *Keyboard Power On* function. Otherwise, the switch will still receive power from the computers.

1. Wait 10 seconds, then plug the Station back in.
2. After the Station is up, Power On the computers.

Note: If you have shut down more than one Station, power up the highest Station first and work your way down to the lowest one.

Port ID Numbering

Each CPU port on a Master View installation is assigned a unique Port ID. The Port ID is made up of two parts: a *Station Number*, and a *Port Number*:

- ◆ The *Station Number* - is a two digit number which reflects the switch's position in the daisy chain sequence.
 - Note:** 1. The first station CL-1208 / CL-1216 has a Station Number of 01. The first daisy chained unit (ACS-1208A / ACS-1216A) has a Station Number of 02, etc.
 - 2. The daisy chained ACS-1208A / ACS-1216As have front panel LEDs that display their Station IDs.
- ◆ The *Port Number* - is a two digit number which reflects the port on the Station that the computer is connected to.
- ◆ The Station Number precedes the Port Number.
- ◆ Station and Port numbers from 1 - 9 are padded with a preceding zero, so they become 01 - 09.

For example, a computer attached to **Port 6** of **Station 12** would have a Port ID of: **12-06**.

Chapter 4.

OSD Operation

OSD Overview

The On Screen Display (OSD) is a menu driven method to handle computer control and switching operations. All procedures start from the OSD Main Screen. To pop up the Main Screen, tap the [**Scroll Lock**] key twice.

Note: You can optionally change the Hotkey to the Ctrl key, in which case you would tap [**Ctrl**] twice (see *OSD Hotkey*, p. 30). With this method, the [Ctrl] keys must be on the same side (both left, or both right).

The OSD incorporates a two level (Administrator / User) password system. Before the OSD Main Screen comes up, a login dialog box appears that asks you to provide your username password. If the password function has been set, you must provide a valid username and password in order to access the OSD Main Screen.

If this is the first time that the OSD is being run, or if the password function has not been set, simply press [**Enter**]. The OSD Main Screen comes up in Administrator Mode. In this mode, you have Administrator privileges, with access to all Administrator and User functions, and can set up operations (including password authorization for the future), as you would like.

When you invoke the OSD, a screen similar to the one below appears:


SN • PN	QV	⚙	NAME
01 • 14	◀	⚙	ATEN INTL.CO. 1
01 • 15			ATEN INTL.CO. 2
01 • 16		⚙	ATEN INTL.CO. 3
02 • 01	◀	⚙	FAX SERVER 1
02 • 02			FAX SERVER 2
02 • 03	◀	⚙	WEB SERVER 1
02 • 04			WEB SERVER 2
02 • 05	◀	⚙	MAIL SERVER 1

- Note:** 1. The diagram depicts the Administrator's Main Screen. The User Main Screen does not show the **F4** and **F6** functions, since these are reserved for the Administrator and can't be accessed by ordinary Users.
2. The OSD always starts in List view, with the highlight bar at the same position it was in the last time it was closed.
3. Only the ports that have been set accessible by the Administrator for the currently logged in User are visible (see *SET ACCESSIBLE PORTS*, p. 34, for details).

OSD Navigation

- ◆ To dismiss the menu, and deactivate the OSD, Click the **X** at the upper right corner of the OSD Window; or press [**Esc**].
- ◆ To Logout, Click **F8** or the **ZZZ** symbol at the top of the Main Screen, or press [**F8**].
- ◆ To move up or down through the list one line at a time, Click the Up and Down Triangle symbols (**▲▼**) or use the Up and Down Arrow Keys. If there are more list entries than there is room for on the Main Screen, the screen will scroll.
- ◆ To move up or down through the list one screen at a time, Click the Up and Down Arrow symbols (**↑↓**), or use the [Pg Up] and [Pg Dn] keys. If there are more list entries than there is room for on the Main Screen, the screen will scroll.
- ◆ To bring the KVM focus to a port, Double Click it, or move the Highlight Bar to it then press [Enter].
- ◆ After executing any action, you automatically go back to the menu one level above.

OSD Main Screen Headings

Heading	Explanation
SN-PN	This column lists the Port ID numbers (Station Number - Port Number) for all the CPU ports on the installation. The simplest method to access a particular computer is to Click it, or move the Highlight Bar to it, then press Enter .
QV	If a port has been selected for Quick View scanning (see <i>Set Quick View Ports</i> , p. 34), an arrowhead displays in this column to indicate so.
	The computers that are powered on and are On Line have a Sun symbol in this column to indicate so.
NAME	If a port has been given a name (see <i>Edit Port Names</i> , p. 33), its name appears in this column.

OSD Functions

OSD functions are used to configure and control the OSD. For example, you can: rapidly switch to any port; scan selected ports only; limit the list you wish to view; designate a port as a Quick View Port; create or edit a port name; or make OSD setting adjustments.

To access an OSD function:

1. Either Click a Function Key field at the top of the Main Screen, or press a Function Key on the keyboard.
2. In the Submenus that appear make your choice either by Double Clicking it, or moving the Highlight Bar to it, then pressing **[Enter]**.
3. Press **[Esc]** to return to the previous menu level.

F1 GOTO:

GOTO allows you to switch directly to a port either by keying in the port's *Name*, or its *Port ID*.

- ◆ To use the Name method, key in **1**; key in the port's Name; then press **[Enter]**.
- ◆ To use the Port ID method, key in **2**; key in the *Port ID*; then press **[Enter]**.

Note: You can key in a partial Name or Port ID. In that case, the screen will show all the computers that the User has *View* rights to (see *SET ACCESSIBLE PORTS*, p. 34), that match the Name or Port ID pattern, regardless of the current List settings (see *F2 LIST*, p. 29, for details).

To return to the OSD Main Screen without making a choice, press **[Esc]**.

F2 LIST:

This function lets you broaden or narrow the scope of which ports the OSD displays (lists) on the Main Screen. Many of the OSD functions only operate on the computers currently selected for Listing on the Main Screen with this function. The submenu choices and their meanings are given in the table below:

Choice	Meaning
ALL	Lists all of the ports on the installation.
QUICK VIEW	Lists only the ports that have been selected as Quick View Ports (see <i>SET ACCESSIBLE PORTS</i> , p. 34).
POWERED ON	Lists only the ports that have their attached computers Powered On.
QUICK VIEW + POWERED ON	Lists only the ports that have been selected as Quick View Ports (see <i>SET QUICK VIEW PORTS</i> , p. 34), and that have their attached computers Powered On.

Double Click the choice you want, or move the Highlight Bar to it, then press **[Enter]**. An icon appears before the choice to indicate that it is the currently selected one.

F3 SET:

This function allows the Administrator and each User to set up their own, individual, working environment. A separate profile for each is stored by the OSD and is activated according to the Username provided during Login.

To change a setting:

1. Double Click it; or move the highlight bar to it, then press **[Enter]**.
2. After you select an item, a submenu with further choices appears. To make a selection, either Double Click it; or move the Highlight Bar to it, then press **[Enter]**. An icon appears before the selected choice to indicate which one it is. The settings are explained in the following table:

Setting	Function
OSD HOTKEY	<p>Selects which Hotkey activates the OSD function:</p> <p>[Scroll Lock] [Scroll Lock] or [Ctrl] [Ctrl].</p> <p>Since the Ctrl key combination may conflict with programs running on the computers, the default is the Scroll Lock combination.</p>
PORT ID DISPLAY POSITION	<p>Allows you to position where the Port ID appears on the monitor. The default is the upper left corner, but you can have it appear anywhere on the screen.</p> <p>Use the Mouse or the Arrow Keys plus Pg Up, Pg Dn, Home, End, and 5 (on the numeric keypad with Num Lock off), to position the Port ID display, then Click or press [Enter] to lock the position and return to the Set submenu.</p>
PORT ID DISPLAY DURATION	<p>Determines how long a Port ID displays on the monitor after a port change has taken place. The choices are: User Defined - which lets you select the amount of time (from 1 - 255 sec.); and Always On - which displays the Port ID at all times. If you select <i>User Defined</i>, key in the number of seconds, then press [Enter]. The default is 3 Seconds. A setting of 0 (zero) disables this function.</p>

(Table continues on next page)

(F3 SET: continued)

Setting	Function
PORT ID DISPLAY MODE	Selects how the Port ID is displayed: the Port Number alone (PORT NUMBER); the Port Name alone (PORT NAME); or the Port Number plus the Port Name (PORT NUMBER + PORT NAME). The default is PORT NUMBER + PORT NAME.
SCAN DURATION	Determines how long the focus dwells on each port as it cycles through the selected ports in Auto Scan Mode (see <i>F7 SCAN</i> , p. 38). Key in a value from 1 - 255 seconds, then press [Enter] . Default is 5 seconds; a setting of 0 disables the Scan function.
SCAN/SKIP MODE	<p>Selects which computers will be accessed under Skip Mode (see <i>F5 SKP</i>, p. 36), and Auto Scan Mode (see <i>F7 SCAN</i>, p. 38). Choices are:</p> <p>ALL - All the Ports which have been set Accessible (see <i>SET ACCESSIBLE PORTS</i>, p. 34);</p> <p>QUICK VIEW - Only those Ports which have been set Accessible and have been selected as Quick View Ports (see <i>SET QUICK VIEW PORTS</i>, p. 34);</p> <p>POWERED ON - Only those Ports which have been set Accessible and are Powered On;</p> <p>QUICK VIEW + POWERED ON - Only those Ports which have been set Accessible and have been selected as Quick View Ports and are Powered On. The default is ALL.</p>
SCREEN BLANKER	If there is no input from the console for the amount of time set with this function, the screen is blanked. Key in a value from 1 - 30 minutes, then press [Enter] . A setting of 0 disables this function. The default is 0 (disabled).
HOTKEY COMMAND MODE	Enables / Disables the Hotkey Command function in case a conflict with programs running on the computers occurs.

F4 ADM:

F4 is an Administrator only function. It allows the Administrator to configure and control the overall operation of the OSD. To change a setting Double Click it; or use the Up and Down Arrow Keys to move the highlight bar to it then press **[Enter]**.

After you select an item, a submenu with further choices appears. Double Click the choice you want, or move the Highlight Bar to it then press **[Enter]**. An icon appears before the selected choice so that you know which one it is. The settings are explained in the following table:

Setting	Function
SET USERNAME AND PASSWORD	<p>This function is used to set Usernames and Passwords for the Administrator and Users:</p> <ol style="list-style-type: none"> 1. One Administrator and four User passwords can be set. 2. After you select the Administrator field or one of the User fields, a screen that allows you to key in your username and password appears. The username and password may be up to 15 characters long, and can consist of any combination of letters and numbers (A - Z, 0 - 9). 3. For each individual, key in the Username and Password, then press [Enter]. 4. To modify or delete a previous Username and/or Password, use the backspace key to erase individual letters or numbers.
SET LOGOUT TIMEOUT	<p>If there is no input from the console for the amount of time set with this function, the Operator is automatically logged out. A login is necessary before the console can be used again.</p> <p>This enables other Operators to gain access to the computers when the original Operator is no longer accessing them, but has forgotten to log out. To set the timeout value, key in a number from 1 - 180 minutes, then press [Enter]. If the number is 0 [zero], this function is disabled. Default is 0 (disabled).</p>

(Table continues on next page)

(F4 ADM: continued)

Setting	Function
EDIT PORT NAMES	<p>To help remember which computer is attached to a particular port, every port can be given a name. This function allows the Administrator to create, modify, or delete port names. To Edit a port name:</p> <ol style="list-style-type: none"> 1. Click the port you want, or use the Navigation Keys to move the highlight bar to it, then press [Enter]. 2. Key in the new Port Name, or modify/delete the old one. The maximum number of characters allowed for the Port Name is 12. Legal characters include: <ul style="list-style-type: none"> ♦ Alpha characters: A - Z ♦ All numeric characters: 0 - 9 ♦ + - / : . and Space <p>Case does not matter; the OSD displays the Port Name in all capitals no matter how they were keyed in.</p> 3. When you have finished editing, press [Enter] to have the change take effect. To abort the change, press [Esc].
RESTORE DEFAULT VALUES	<p>This function is used to undo all changes and return the setup to the original factory default settings (see <i>FACTORY DEFAULT SETTINGS</i>, p. 58) - except for the <i>Names</i> settings that were assigned to the Ports, which are saved.</p>
CLEAR THE NAME LIST	<p>This function is similar to Restore Default Values. The difference is that it also clears the <i>Names</i> settings along with undoing all changes and returning the setup to the original factory default settings.</p>
ACTIVATE BEEPER	<p>Choices are Y (for Yes), or N (for No). When activated, the beeper sounds whenever a Port is changed; when activating the Auto Scan function (see <i>F7 SCAN</i>, p. 38); or an invalid entry is made on an OSD menu. The default is Y (activated).</p>

(Table continues on next page)

(F4 ADM: continued)

Setting	Function
SET QUICK VIEW PORTS	<p>This function lets the Administrator select which Ports to include as Quick View ports.</p> <ul style="list-style-type: none"> ◆ To select/deselect a port as a Quick View Port, use the Navigation Keys to move the highlight bar to it, then press the [Spacebar]. ◆ When a port has been selected as a Quick View Port, an arrowhead displays in the QV column of the LIST on the Main Screen to indicate so. When a port is deselected, the arrowhead disappears. ◆ If one of the Quick View options is chosen for the LIST view (see <i>F2 LIST</i>, p. 29), only a Port that has been selected here will display on the List. ◆ If one of the Quick View options is chosen for Auto Scanning (see <i>SCAN/SKIP MODE</i>, p. 31), only a Port that has been selected here will be Auto Scanned. <p>The default is for no ports to be selected.</p>
SET ACCESSIBLE PORTS	<p>This function allows the Administrator to define User access to the computers on the installation on a Port-by-Port basis.</p> <p>For each User, select the target Port; then press the [Spacebar] to cycle through the choices: F (Full access), V (View only), or blank. Repeat until all access rights have been set, then press [Enter]. The default is F for all users on all ports.</p> <p>Note: A blank setting means that no access rights are granted. The port will not show up on the User's LIST on the Main Screen.</p>

(Table continues on next page)

(F4 ADM: continued)

Setting	Function
RESET STATION IDS	<p>If you change the position of one of the Stations in the daisy chain, the OSD settings will no longer correspond to the new situation. This function directs the OSD to rescan the Station positions of the entire installation and updates the OSD so that the OSD Station information corresponds to the new physical layout.</p> <p>Note: Only the Station Numbers get updated. Except for the Port Names, all Administrator settings (such as Set Accessible Ports, Set Quick View Ports, etc.), for all of the computers affected by the change, have to be manually redone.</p>
FIRMWARE UPGRADE	<p>In order to upgrade the CL-1208 / CL-1216's firmware (see Chapter 31), you must first enable <i>Firmware Upgrade Mode</i> with this setting.</p> <p>When you bring up this menu, the current firmware version levels display. Select Y to enable Firmware Upgrade Mode, or N to leave this menu without enabling it.</p>
SET PS/2 CLK MODE	<p>Select the target computer from the list, then use the spacebar to cycle through the choices:</p> <ul style="list-style-type: none"> 0 PS/2 CLK delay = Off; ASIC filter = On 1 PS/2 CLK delay = On; ASIC filter = Off 2 PS/2 CLK delay = Off; ASIC filter = Off <p>The default is 0. Unless a computer is experiencing problems, we recommend this setting. If you experience a problem with DELL Server 1655MC computers, select setting 1.</p>
SET CONSOLE MODE	<p>This setting selects which consoles (internal/external) are enabled:</p> <ul style="list-style-type: none"> 0 Both consoles enabled 1 LCD console only 2 External console only <p>Use the spacebar to cycle to the choice you want. The default is 0.</p>

F5 SKP:

This function enables you to easily skip backward or forward - switching the KVM focus from the currently active computer port to the previous or next available one.

- ◆ The selection of computers to be available for Skip Mode switching is made with the *Scan/Skip Mode* setting under the **F3 SET** function (see p. 31).
- ◆ When you are in Skip Mode, press:
 - ← To skip from the current port to the previous port in the List.
 - To skip from the current port to the next port in the List.
 - ↑ To skip from the current port to the last port of the previous station in the List.
 - ↓ To skip from the current port to the first port of the next station in the List.

Note: When you Skip, you only Skip to the previous or next available computer that is in the *Scan/Skip Mode* selection (see p. 31).

- ◆ If a Port has been selected for *Scan/Skip Mode*, when the focus switches to that port a Left/Right Triangle symbol appears before its Port ID Display to indicate so.
- ◆ While Skip Mode is in effect, the console will not function normally. You must exit Skip Mode in order to regain control of the console.
- ◆ To exit Skip Mode, press [**Spacebar**] or [**Esc**].

F6 BRC:

F6 is an Administrator only function. When this function is in effect, commands sent from the console are broadcast to all available computers on the installation.

This function is particularly useful for operations that need to be performed on multiple computers, such as performing a system wide shutdown, installing or upgrading software, etc.

BRC works in conjunction with the **F2 LIST** function. The LIST function (see p. 29), is used to broaden or narrow the focus of which Ports appear on the OSD Main Screen. When you Broadcast a command, it only goes to the Ports currently selected to be listed on the OSD Main Screen.

- ◆ While BRC Mode is in effect, a Speaker symbol appears before the Port ID Display of the port that currently has the console focus.
- ◆ While BRC Mode is in effect, the mouse will not function normally. You must exit BRC Mode in order to regain control of the mouse.
- ◆ To exit BRC Mode, invoke the OSD (with the OSD Hotkey), then Click the **F6** field, or press **[F6]**, to turn BRC Mode off.

F7 SCAN:

This function automatically switches among the available computers at regular intervals so that you can monitor their activity without having to take the trouble of switching manually.

- ◆ The selection of computers to be included for Auto Scanning is made with the *Scan/Skip Mode* setting under the **F3 SET** function (see p. 31).
- ◆ The amount of time that the focus stays on each Port is set with the *Scan Duration* setting under the **F3 SET** function (see p. 31).
- ◆ As each computer is accessed, an S appears in front of the Port ID display to indicate that it is being accessed under *Auto Scan Mode*.
- ◆ While you are in Auto Scan Mode, you can pause the scanning in order to keep the focus on a particular computer either by pressing **P**, or with a Left Click of the mouse. To resume scanning, press any key or Left Click, again. See *Invoking Auto Scan*, p. 44, for further details.
- ◆ To stop scanning and stay at a particular location, press the [Spacebar] to exit *Auto Scan Mode*. If the scanning stops on an empty port, or one where the computer is attached but is powered Off, the monitor screen will be blank, and the mouse and keyboard will have no effect. Simply wait - after the *Scan Duration* time is up, the Scan function will move on to the next port.
- ◆ While Auto Scan Mode is in effect, the console will not function normally. You must exit Auto Scan Mode in order to regain control of the console.
- ◆ To exit Auto Scan Mode, press the [**Spacebar**] or [**Esc**].

F8 LOUT:

Clicking the **F8** field or, or pressing [**F8**] logs you out of the OSD, and blanks the Console screen. This is different from simply deactivating the OSD when you are at the Main Screen by pressing [**Esc**].

With this function you must log in all over again to regain access to the OSD, whereas with [**Esc**], all you have to do to reenter the OSD is tap the OSD Hotkey.

- Note:**
1. When you reenter the OSD after logging out, the screen stays blank except for the OSD Main Screen. You must input your password before you can continue.
 2. If you reenter the OSD after logging out, and immediately use [Esc] to deactivate the OSD without having selected a port from the OSD menu, a Null Port message displays on the screen. The OSD Hotkey will bring up the Main OSD Screen.

Notes:

Chapter 5.

Hotkey Operation

Hotkey Port Access

Hotkey Port Access allows you to provide the KVM focus to any computer on your installation directly from the keyboard. The CL-1208 / CL-1216 provides three hotkey port access features:

- ◆ Selecting the Active Port
- ◆ Auto Scanning
- ◆ Skip Mode Switching

Invoking Hotkey Mode

All Hotkey operations begin by invoking *Hotkey Mode* (HKM) as follows:

1. Hold down the **Num Lock** key;
2. Press and release the **minus** key;
3. Release the **Num Lock** key:

[Num Lock] + [-] ;

When Hotkey Mode is active:

- ◆ The Caps Lock, and Scroll Lock LEDs flash in succession to indicate so. They stop flashing and revert to normal status when you exit HKM.
- ◆ A Command Line appears on the monitor screen. The command line prompt is the word *Hotkey:* in yellow text on a blue background, and displays the subsequent Hotkey information that you key in.
- ◆ Ordinary keyboard and mouse functions are suspended - only Hotkey compliant keystrokes and mouse clicks (described in the sections that follow), can be input.
- ◆ Pressing [Esc] exits HKM.

Selecting the Active Port

Each CPU port is assigned a unique Port ID (see *Port ID Numbering*, p. 24). You can directly access any computer on the installation with a Hotkey combination that specifies the Port ID of the CPU Port that the computer is connected to. The steps involved are:

1. Invoke HKM (see p. 5-41).
2. Key in the Port ID
The Port ID numbers display on the Command Line as you key them in. If you make a mistake, use [Backspace] to erase the wrong number.
3. Press [Enter]
After you press [Enter], the KVM focus switches to the designated computer and you automatically exit HKM.

Auto Scanning

Auto Scan automatically switches among all the active CPU Ports that are accessible to the currently logged on User at regular intervals, allowing automatic monitoring of computer activity. (See *Scan/Skip Mode* of the OSD **F3 SET** function, p. 31 for information regarding accessible ports.)

Setting the Scan Interval:

The amount of time Auto Scan dwells on each port is set with the *Scan Duration* setting of the OSD **F3 SET** function (see p. 31). You can change the scan interval before activating Hotkey Auto Scanning, if you wish, with the following Hotkey combination:

1. Invoke HKM (see p. 41).

2. Key in **[T] [n]**

Where [T] is the letter **T**, and [n] is a number from 1-255 that represents the number of seconds the system dwells on a port before going on to the next.

The letter **T** and the numbers display on the Command Line as you key them in. If you make a mistake, use [Backspace] to erase the wrong number.

3. Press **[Enter]**

After you press [Enter], you automatically exit Hotkey Mode, and are ready to invoke Auto Scanning.

Invoking Auto Scan:

To start Auto Scanning, key in the following Hotkey combination:

1. Invoke HKM (see p. 41).
2. Press **[A]**.

When you press **A**, you automatically exit HKM; enter Auto Scan Mode; and Auto Scanning begins.

- ♦ While you are in Auto Scan Mode, you can pause the scanning in order to keep the focus on a particular computer either by pressing **P** or with a Left Click of the mouse. During the time that Auto Scanning is paused, the Command Line displays: **Auto Scan: Paused**.

Pausing when you want to keep the focus on a particular computer is more convenient than Exiting Auto Scan Mode because when you Resume scanning, you start from where you left off.

If you *Exit* Auto Scan Mode, on the other hand, when you restart scanning, you start over from the beginning with the very first computer on the installation.

To resume Auto Scanning after Pausing, press any key or Left Click. Scanning continues from where it left off.

- ♦ While Auto Scan Mode is in effect, ordinary keyboard and mouse functions are suspended - only Auto Scan Mode compliant keystrokes and mouse clicks can be input. You must exit Auto Scan Mode in order to regain normal control of the console.
3. To exit Auto Scan Mode press **[Esc]** or **[Spacebar]**. Auto Scanning stops when you exit Auto Scan Mode.

Skip Mode

This feature allows you to switch between computers in order to monitor them manually. You can dwell on a particular port for as long or as little as you like - as opposed to Auto Scanning, which automatically switches after a fixed interval. To invoke Skip Mode, key in the following Hotkey combination:

1. Invoke HKM (see p. 41).
2. Key in **[Arrow]**
 - ♦ Where [Arrow] refers to one of the Arrow keys. After you press [Arrow], you automatically exit HKM, and enter Skip Mode where you can switch ports as follows:
 - ← Skips from the current port to the first accessible port previous to it. (See *Scan/Skip Mode*, p. 31, for information regarding accessible ports.)
 - Skips from the current port to the next accessible port.
 - ↑ Skips from the current port to the last accessible port of the previous Station. If you are at a port on the First Station you cycle backward to the last accessible port on the Last Station.
 - ↓ Skips from the current port to the first accessible port of the next Station. If you are at a port on the Last Station you cycle forward to the first accessible port on the First station.
 - ♦ Once you are in Skip Mode, you can keep on skipping by pressing the Arrow keys. You don't have to invoke HKM again.
 - ♦ While Skip Mode is in effect, ordinary keyboard and mouse functions are suspended - only Skip Mode compliant keystrokes can be input. You must exit Skip Mode in order to regain normal control of the console.
3. To exit Skip Mode, press **[Esc]** or **[Spacebar]**.

Hotkey Beeper Control

The Beeper can be Hotkey toggled On and Off (see Activate Beeper, p. 33). To toggle the Beeper, key in the following Hotkey combination:

1. Invoke HKM (see p. 41).
2. Press **[B]**

After you press **B**, the Beeper toggles On or Off. The Command Line displays *Beeper On* or *Beeper Off* for one second; then the message disappears and you automatically exit HKM.

Hotkey Summary Table

[Num Lock] + [-]	[Port ID] [Enter]	Switches access to the computer that corresponds to that Port ID.
	[T] [n] [Enter]	Sets the Auto Scan interval to n seconds - where n is a number from 1 - 255.
	[A]	Invokes Auto Scan Mode. When Auto Scan Mode is in effect, [P] or Left Click pauses Auto Scanning. When Auto Scanning is paused, pressing Any Key or another Left Click resumes Auto Scanning.
	[←]	Invokes Skip Mode and Skips from the current port to the first accessible port previous to it.
	[→]	Invokes Skip Mode and Skips from the current port to the next accessible port.
	[↑]	Invokes Skip Mode and Skips from the current port to the last accessible port of the previous Station. If you are at a port on the First Station you cycle backward to the last accessible port on the Last Station.
	[↓]	Invokes Skip Mode and Skips from the current port to the first accessible port of the next Station. If you are at a port on the Last Station you cycle forward to the first accessible port on the First station.
	[B]	Toggles the Beeper On or Off.

Notes:

Chapter 6.

The Firmware Upgrade Utility

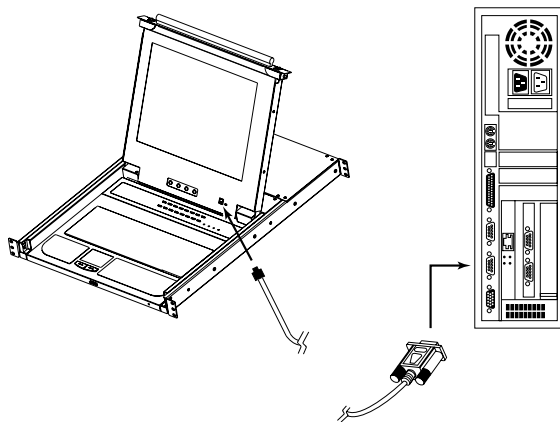
The Windows-based Firmware Upgrade Utility (FWUpgrade.exe) provides a smooth, automated process for upgrading the KVM switch's firmware.

The Utility comes as part of a Firmware Upgrade Package that is specific for each device. New firmware upgrade packages are posted on our web site as new firmware revisions become available. Check the web site regularly to find the latest packages and information relating to them.

Preparation

To prepare for the firmware upgrade, do the following:

1. From a computer that is not part of your KVM installation go to our Internet support site and choose the model name that relates to your device to get a list of available Firmware Upgrade Packages.
2. Choose the Firmware Upgrade Package you want to install (usually the most recent), and download it to your computer.
3. Use the *Firmware Upgrade Cable* (provided with this unit), to connect a COM port on your computer to the *Firmware Upgrade Port* of your switch.



Note: On a daisy chained installation, the chained stations will automatically receive the upgrade via the daisy chain cables.

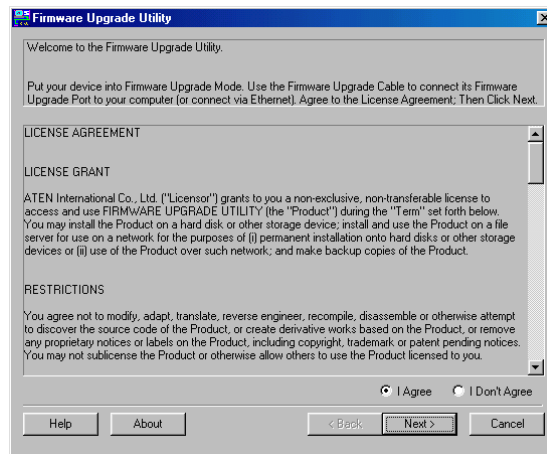
4. Shut down all of the computers - but not the Stations - on your KVM installation.
5. From your KVM switch console, bring up the OSD (see p. 25) and select the **F4ADM** function.
6. Scroll down to FIRMWARE UPGRADE. Press [Enter], then press [Y] to invoke Firmware Upgrade Mode (see p. 35.) For your reference, the current firmware upgrade version displays on the screen.

Starting the Upgrade

To upgrade your firmware:

1. Run the downloaded Firmware Upgrade Package file - either by double clicking the file icon, or by opening a command line and entering the full path to it.

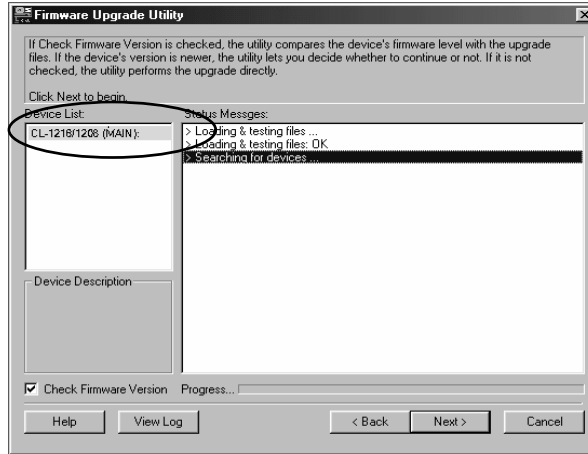
The Firmware Upgrade Utility *Welcome* screen appears:



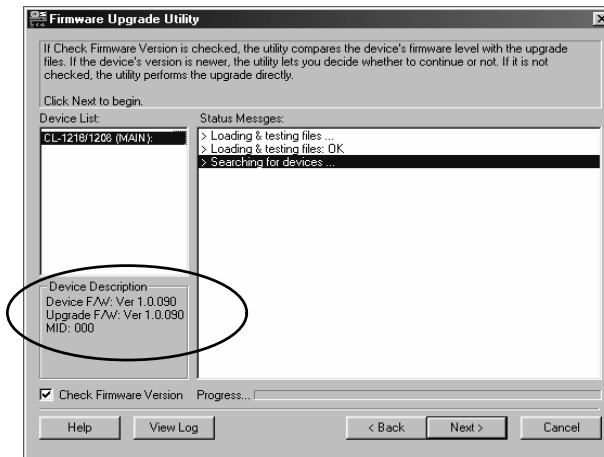
Note: The screens shown in this section are for reference only. The wording and layout of the actual screens put up by the Firmware Upgrade Utility may vary slightly from these examples.

2. Read and *Agree* to the License Agreement (enable the I Agree radio button).

3. Click Next to continue. The Firmware Upgrade Utility main screen appears. The devices capable of being upgraded are listed in the *Device List* panel:

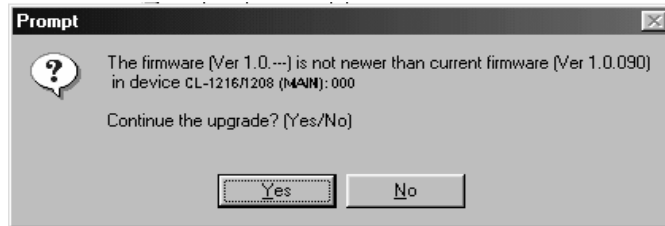


4. As you select devices, a detailed description of each appears in the *Device Description* panel.



5. After you have made your device selection(s), Click **Next** to perform the upgrade.

If you enabled *Check Firmware Version*, the Utility compares the device's firmware level with that of the upgrade files. If it finds that the device's version is higher than the upgrade version, it brings up a dialog box informing you of the situation and gives you the option to Continue or Cancel.

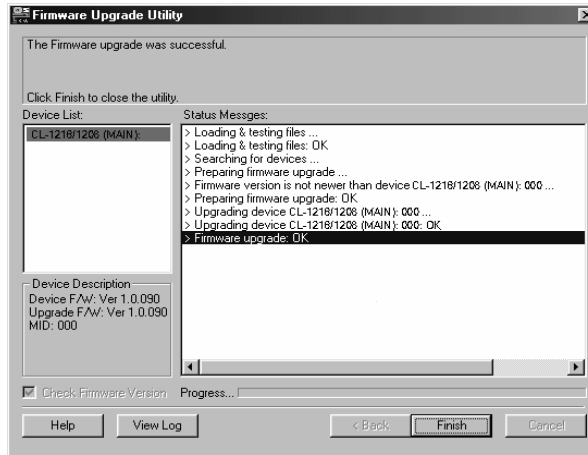


If you didn't enable *Check Firmware Version*, the Utility installs the upgrade files without checking whether they are a higher level, or not.

As the Upgrade proceeds status messages appear in the Status Messages panel, and the progress toward completion is shown on the *Progress* bar.

Upgrade Succeeded

After the upgrade has completed, a screen appears to inform you that the procedure was successful:



Click **Finish** to close the Firmware Upgrade Utility.

Upgrade Failed

If the *Upgrade Succeeded* screen doesn't appear, it means that the upgrade failed to complete successfully. See the next section, *Firmware Upgrade Recovery*, for how to proceed.

Firmware Upgrade Recovery

There are basically three conditions that call for firmware upgrade recovery:

- ◆ When you invoke Firmware Upgrade Mode (see p. 50), but decide not to proceed with the upgrade.
- ◆ When the Mainboard firmware upgrade fails.
- ◆ When the I/O firmware upgrade fails.

To perform a firmware upgrade recovery, do the following:

1. Power off the switch. If it is part of a daisy chain, disconnect it from the chain.
2. Connect the *Firmware Upgrade Cable* to its *Firmware Upgrade Port*.
3. Slide the *Firmware Upgrade Recovery Switch* to the **Recover** position.
4. Power the switch back on and repeat the upgrade procedure.
5. After the switch has been successfully upgraded, power it off, and slide the *Firmware Upgrade Recovery Switch* back to the **Normal** position.
6. If the switch is part of a daisy chain, replace it in the chain.
7. Power the switch back on

Notes:

Appendix

Connection Tables

The following tables indicate the relationship between the number of Master View units and the number of computers that they control on a daisy chained installation:

CL-1208 + ACS-1208A

MVs	Computers	MVs	Computers	MVs	Computers	MVs	Computers
1	1 - 8	9	65 - 72	17	129 - 136	25	193 - 200
2	9 - 16	10	73 - 80	18	137 - 144	26	201 - 208
3	17 - 24	11	81 - 88	19	145 - 152	27	209 - 216
4	25 - 32	12	89 - 96	20	153 - 160	28	217 - 224
5	33 - 40	13	97 - 104	21	161 - 168	29	225 - 232
6	41 - 48	14	105 - 112	22	169 - 176	30	233 - 240
7	49 - 56	15	113 - 120	23	177 - 184	31	241 - 248
8	57 - 64	16	121 - 128	24	185 - 192	32	249 - 256

CL-1216 + ACS-1216A

MVs	Computers	MVs	Computers	MVs	Computers	MVs	Computers
1	1 - 16	9	129 - 144	17	257 - 272	25	385 - 400
2	17 - 32	10	145 - 160	18	273 - 288	26	401 - 416
3	33 - 48	11	161 - 176	19	289 - 304	27	417 - 432
4	49 - 64	12	177 - 192	20	305 - 320	28	433 - 448
5	65 - 80	13	193 - 208	21	321 - 336	29	449 - 464
6	81 - 96	14	209 - 224	22	337 - 352	30	465 - 480
7	97 - 112	15	225 - 240	23	353 - 368	31	481 - 496
8	113 - 128	16	241 - 256	24	369 - 384	32	497 - 512

OSD Factory Default Settings

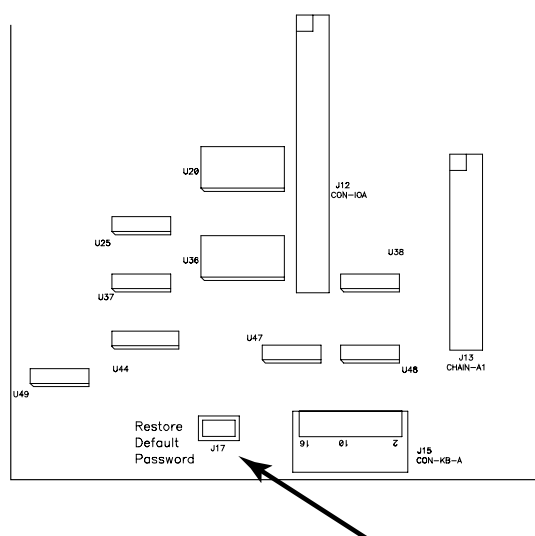
The factory default settings are as follows:

Setting	Default
OSD Hotkey	[Scroll Lock] [Scroll Lock]
Port ID Display Position	Upper Left Corner
Port ID Display Duration	3 Seconds
Port ID Display Mode	The Port Number plus the Port Name
Scan Duration	5 Seconds
Scan/Skip Mode	All
Screen Blanker	0 (Disabled)
Logout Timeout	0 (Disabled)
Beeper	Y (Activated)
Accessible Ports	F (Full) For all Users on all Ports

Clear Login Information

If you are unable to perform an Administrator login (because the Username and Password information has become corrupted, or you have forgotten it, for example), you can clear the login information with the following procedure:

1. Power off the switch and remove the top cover from the unit chassis.
2. Short the jumper labeled *Default Password* on the switch's main board.



3. Power on the switch.

When you power the switch on, the following message appears on the LCD display:

```
USERNAME AND PASSWORD INFORMATION HAS BEEN CLEARED .  
PLEASE POWER OFF THE SWITCH, REMOVE THE JUMPER, CLOSE  
THE CASE, THEN RESTART .
```

4. After you start back up, the OSD login function acts exactly the way it did the first time the switch was run (see p. 26) and you can reset passwords for the Administrators and Users.

Rack Mounting

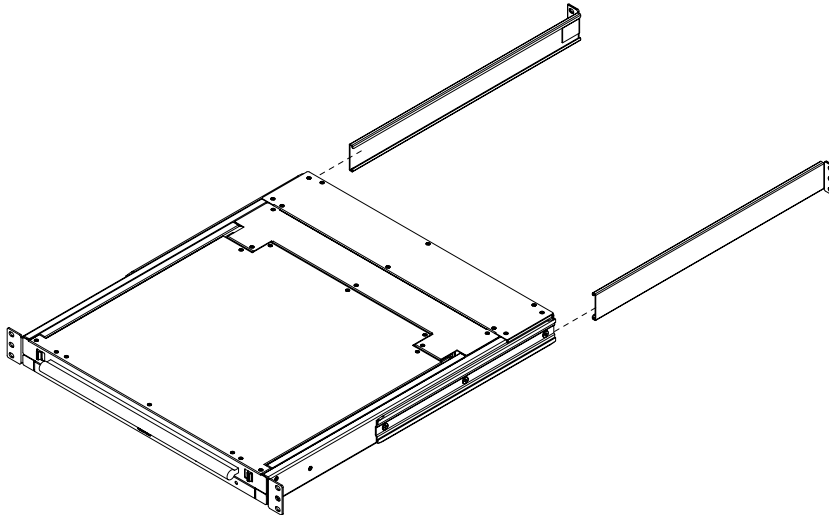
Standard Rack Mounting

A standard rack mounting kit is provided with your CL-1208 / CL-1216. The kit enables the switch to be mounted in rack with a depth of 45 - 85 cm.

To rack mount the switch, do the following:

1. Slide the switch into the rack and screw the front brackets to the rack.
2. Slide the L brackets onto the switch, from the rear until the bracket flanges contact the rack, then screw the brackets to the rack.

Note: It may take two people to position the switch correctly while performing these procedures.



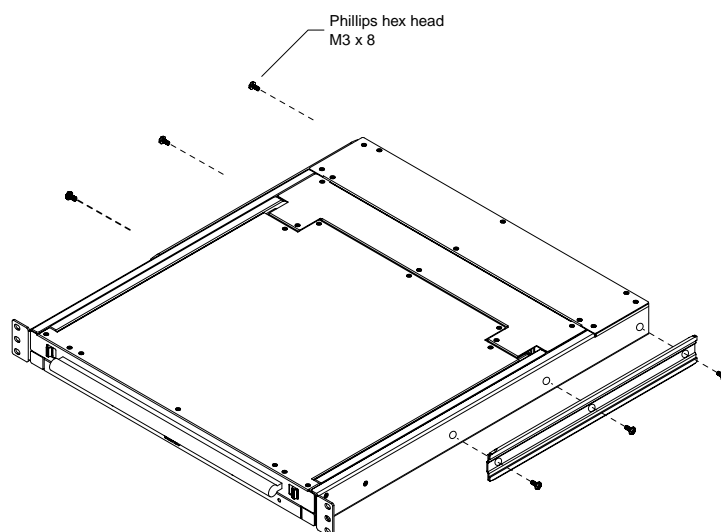
Optional Rack Mounting

For convenience and flexibility, three optional rack mounting kits are available: 1) a long bracket (68.0 - 110.0 cm) standard rack mounting kit; 2) a short bracket (41.5 - 70cm) *Easy-Installation* rack mount kit; and a long bracket (68.0 - 105.0cm) *Easy-Installation* rack mount kit.

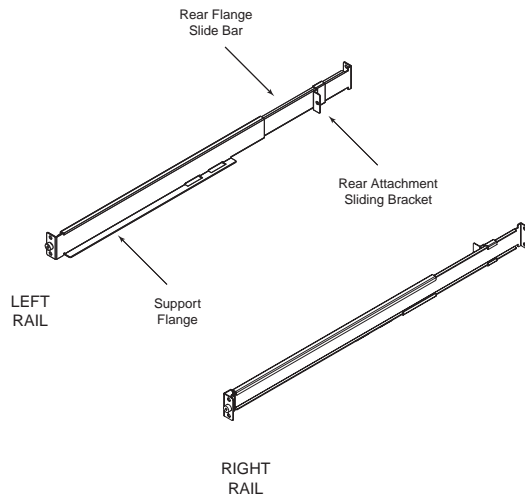
To install the long bracket standard rack mount kit, simply replace the short L brackets on the standard rack mount kit with the long ones, and mount the switch according to the instructions given on p. 60.

With an *Easy-Installation*, kit, one person can mount the switch. To install the *Easy-Installation* kit, do the following:

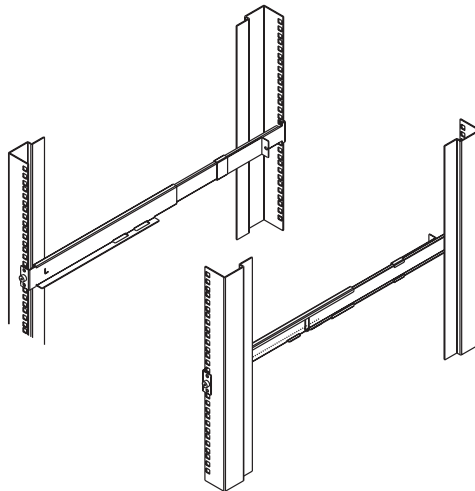
1. Remove the standard L brackets, and the side mounting brackets from both sides of the switch.



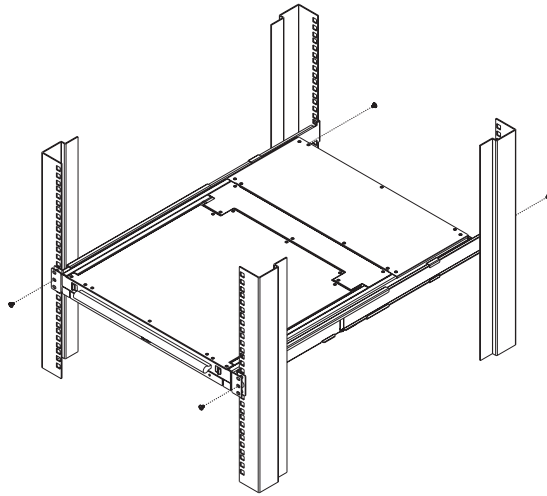
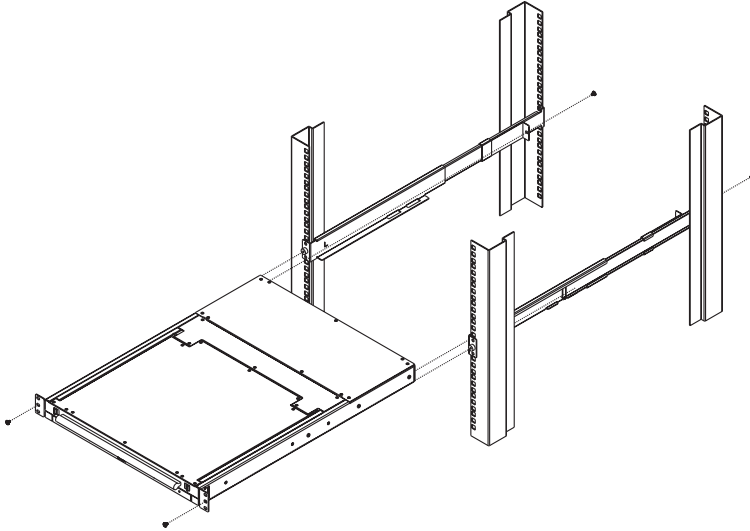
2. Attach the left and right *easy-installation* mounting rails to the inside of the rack. The flange that supports the switch will be to the inside.



- a) Screw the front flanges to the rack first.
- b) Slide the bars with the rear flanges toward the rack until the flanges make contact with the rack, then screw the rear flanges to the rack.



3. Slide the switch onto the support flanges and secure it to the mounting rails at the front.
4. Slide the rear attachment sliding bracket along the slide bar until it contacts the rear of the switch, then screw it to the rear of the switch.



Specifications

Function		CL-1208	CL-1216
Computer Connections	Direct	8	16
	Max	256 (via Daisy Chain)	512 (via Daisy Chain)
Port Selection		Push button switches: OSD (On Screen Display); Hotkeys	
LEDs	On Line	8 (Orange)	16 (Orange)
	Selected	8 (Green)	16 (Green)
	Power	1 (Blue)	
	Lock	1 x Num Lock (Green) 1 x Caps Lock (Green) 1 x Scroll Lock (Green)	
Connectors	CPU Ports	8 x SPHD-15 F	16 x SPHD-15 F
	Daisy Chain	1 x DB-25 M	
	FW Upgr.	1 x RJ-11	
Switches		1 x Slide (FW Upgrade Recovery)	
Scan Interval (OSD Select)		User Specified: 1 - 255 secs.	
Emulation	Keyboard	PS/2	
	Mouse	PS/2	
Video		15" LCD: 1024 x 768; DDC2B 17" LCD: 1280 x 1024; DDC2B	
Power Consumption		120V 60Hz 24W / 230V 50Hz 24W	
Operating Temperature		0 - 50° C	
Storage Temperature		-20 - 60° C	
Humidity		0 - 80% RH	
Housing		Metal	
Weight		15" LCD: 13.4kg 17" LCD: 13.8kg	15" LCD: 14.3kg 17" LCD: 14.5kg
Dimensions (L x W x H)		62.66 x 48.0 x 4.2 cm (19" / 1U)	

Troubleshooting

Problem	Solution
There are ghost images on the external monitor.	The distance between the external console and the CL-1208 / CL-1216 is too great. The maximum cable distance should not exceed 20m and, in some cases, may need to be shorter. Replace the VGA cable with one of an appropriately short length.

Limited Warranty

IN NO EVENT SHALL THE DIRECT VENDOR'S LIABILITY EXCEED THE PRICE PAID FOR THE PRODUCT FROM THE DIRECT, INDIRECT, SPECIAL, INCIDENTAL OR CONSEQUENTIAL DAMAGES RESULTING FROM THE USE OF THE PRODUCT, DISK OR ITS DOCUMENTATION.

The direct vendor makes no warranty or representation, expressed, implied, or statutory with respect to the contents or use of this documentation, and specially disclaims its quality, performance, merchantability, or fitness for any particular purpose.

The direct vendor also reserves the right to revise or update the device or documentation without obligation to notify any individual or entity of such revisions, or update. For further inquires please contact your direct vendor.